

# Accessories

## Swing-handle

Wide range of locking devices with swing handle to suit the complete range of enclosures.

\*Transform the number before the last one of reference to choose the type of locking device.



Ref. accessories	06PGCR0001	06PGCR0002	06PGCR0003	06PGCR0004	06PGCR0005
Ref. mounted*	06PXXXXX0X	06PXXXXX2X	06PXXXXX3X	06PXXXXX4X	06PXXXXX5X

## Wall fixing lugs (Set of 4 pieces)

For standard enclosures & for enclosures with rain canopy:



Galvanized (standard) :  
Ref. 06PGAD0001

Galvanized (with rain canopy) :  
Ref. 06PGAD0003

## Door stop

Maximum door opening angle 105°.



Ref. 06PGAD0005

## Ventilation device

To allow ventilation in the cabinet. Made of polyester. [Two air vents must be mounted per enclosure to ensure the correct air circulation]



Device RAL 7035  
Ref. 06PEAD0002



IP54 device 150x150mm  
Ref. 06PEAD0003



## Document pocket

Self-adhesive.



Ref. 06PGAD0006

## Step slides

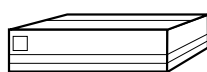
Set of 4 step slides with brackets allowing continuous depth adjustment of the mounting plate.:

For cabinets 300 mm depth:  
Ref. 06PGAD0007

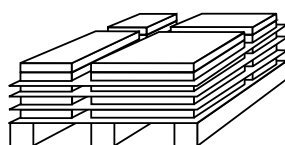
For cabinets 420 mm depth:  
Ref. 06PHAD0001



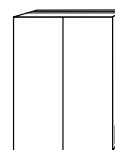
## Type of delivery



Kit

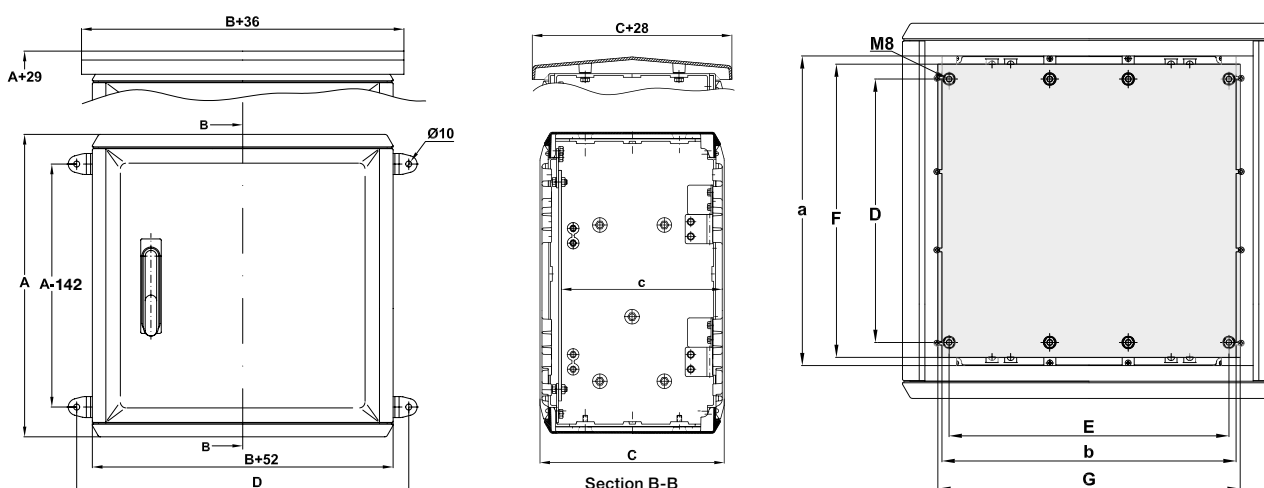


Bulk



Assembled

# Dimensional



Enclosure dimensions (mm)

Mounting plate (mm)

Designation	A	a	B	b	C	c	D	E	F	G
MX 553 / MX 554	510	412	500	405	312/420	274/382	605	375	393	405
MX 573 / MX 574	510	412	750	655	312/420	274/382	855	625	393	655
MX 753 / MX 754	760	662	500	405	312/420	274/382	605	375	634	405
MX 773 / MX 774	760	662	750	655	312/420	274/382	855	625	634	655
MX 7103/2P / MX 7104/2P	760	662	1000	905	312/420	274/382	1105	875	634	905
MX 1053 / MX 1054	1010	912	500	405	312/420	274/382	605	375	893	405
MX 1073 / MX 1074	1010	912	750	655	312/420	274/382	855	625	893	655
MX 10103/2P / MX 10104/2P	1010	912	1000	905	312/420	274/382	1005	875	893	905
MX 1253 / MX 1254	1260	1162	500	405	312/420	274/382	605	375	1143	405
MX 1273 / MX 1274	1260	1162	750	655	312/420	274/382	855	625	1143	655
MX 12103/2P / MX 12104/2P	1260	1162	1000	905	312/420	274/382	1105	875	1143	905
MX 12123/2P / MX 12124/2P	1260	1162	1250	1155	312/420	274/382	1305	1125	1143	1155