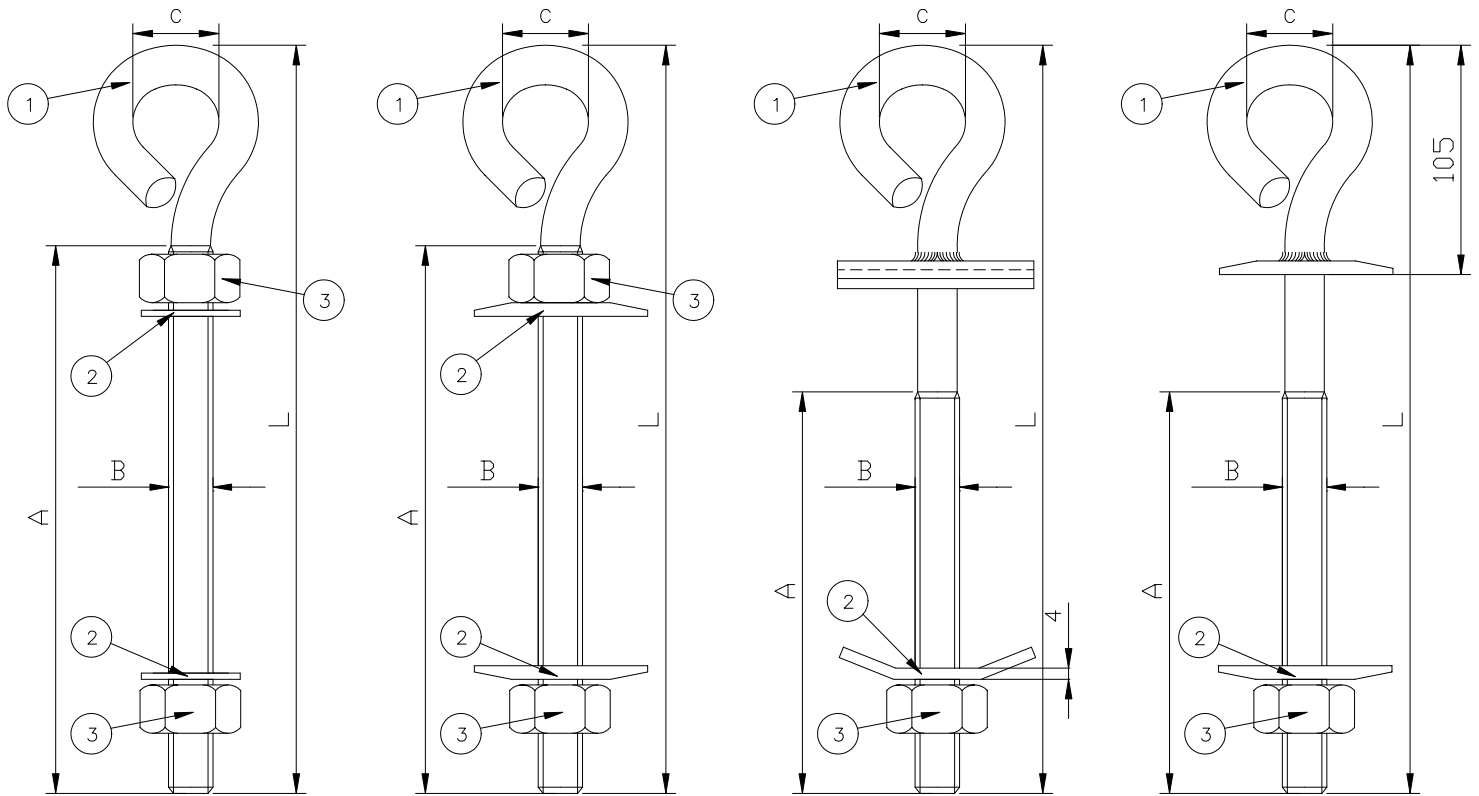


TIPO 1

TIPO 2

TIPO 3

TIPO 4



REFERENCIA	DESIGNACION	TIPO	1 GANCHO	2 ARANDELA	3 TUERCA	L (mm)	A (mm)	B (mm)	C (mm)	EMBALAJE	UNIDAD /CAJA
0.564.227	GAR 16/160-G	1	4.049.186	4.310.075	4.290.146	160	60	16	32	207	40
0.564.038	GAR 16/200-G	1	4.041.130	4.310.075	4.290.146	200	105	16	32	207	30
0.564.008	GAR 16/200-P	1	4.042.735	4.311.630	4.293.145	205	120	16	32	207	30
0.564.008-ST	GAR 16/200-P S/T	1	4.042.735	/	/	205	120	16	32	207	30
0.564.008-C	GAR 16/200-C	1	4.042.735	4.311.630	4.293.145	205	120	16	32	207	30
0.564.008-I	GAR 16/200-I	1	-	-	-	205	120	16	32	207	30
0.564.178	GAR 16/230-G	1	4.041.131	4.310.075	4.290.146	230	130	16	32	207	30
0.564.228	GAR 16/250-G	1	4.048.751	4.310.075	4.290.146	250	155	16	32	207	30
0.564.228-C	GAR 16/250-C	1	4.001.354	4.311.630	4.311.630	250	155	16	32	207	30
0.564.228-I	GAR 16/250-I	1	-	-	-	250	155	16	32	207	30
0.564.007	GAR 16/315-P	2	4.046.696	4.040.251	4.293.145	315	220	16	32	208	25
0.564.007-ST	GAR 16/315-P S/T	2	4.046.696	/	/	315	220	16	32	208	50
0.564.007-C	GAR 16/315-C	2	4.046.696	4.040.251	4.293.145	315	220	16	32	208	25
0.564.037	GAR 16/315-G	2	4.046.697	4.042.738	4.290.146	315	215	16	32	208	25
0.564.249	GAR 16/315-G/EN	3	3.050.900	4.018.166	4.290.146	315	125	16	32	208	25
0.564.011	GAR 16/400-P	2	4.046.698	4.040.251	4.293.145	400	300	16	32	211	12
0.564.011-ST	GAR 16/400-P S/T	2	4.046.698	/	/	400	300	16	32	211	20
0.564.011-C	GAR 16/400-C	2	4.046.698	4.040.251	4.293.145	400	300	16	32	211	12
0.565.006	GAR 16/400-G/EN	3	3.001.217	4.018.166	4.290.146	400	125	16	32	211	12
0.564.041	GAR 16/400-G	2	4.046.699	4.042.738	4.290.146	400	300	16	32	211	12
0.564.041-S	GAR 16/400-G/S	4	3.002.885	4.042.738	4.290.146	400	125	16	32	211	12

5					6						
3					4						
1	02.02.27	ESP	JBB	AÑADIR REF 0561041-S	2						
N°	FECHA	POR	V.B	REVISION	N°	FECHA	POR	V.B	REVISION		



	PROYECT.	MATERIAL:	ACABADO:
ESCALA	DIBUJADO J.G	GANCHOS ABIERTOS ROSCADOS M16	
FECHA	CONTROL.		
99.11.25			
			N° PM01276
			N°R: 01
			N° PAGINA 68