



CAHORS

## SUSPENSION ASSEMBLY FOR ABC CABLES ON POLE

Ensemble d'alignement pour réseaux aériens BT

Conjunto de suspensión sobre poste para redes aéreas BT

Data sheet

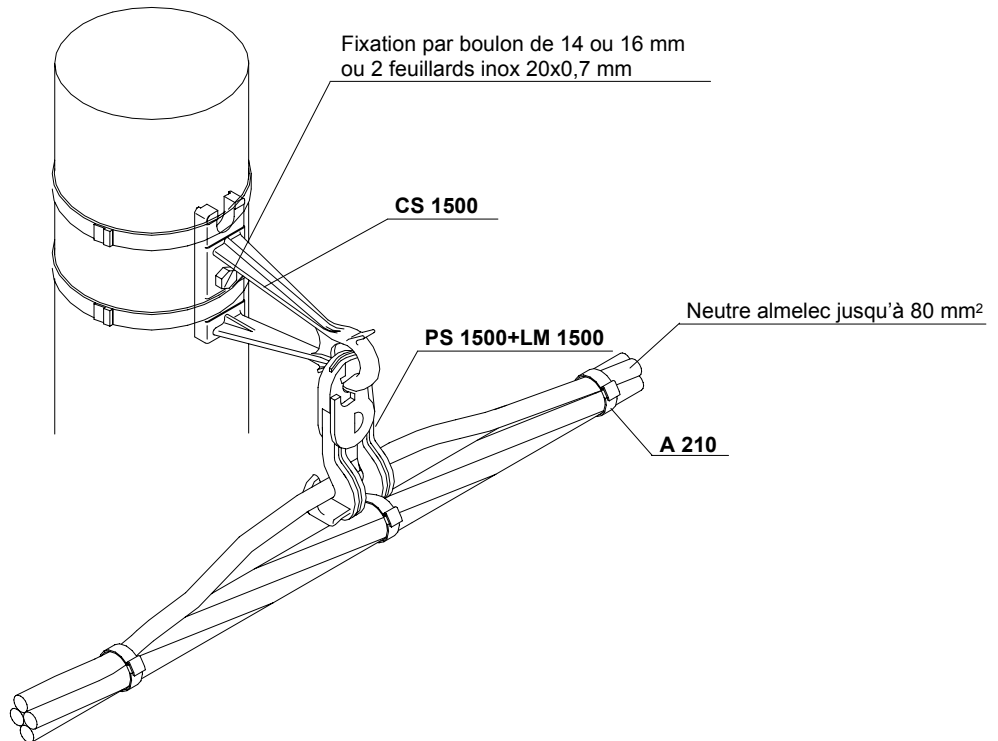
H 01 I

Revision: 1

Date: 98.05.18

Reference standards: HN 33 S 67  
NF C 33-040

ES 1500



Assembly		Composition	
Type	Code	Description	Data sheet
ES 1500	564.031	1 Support bracket CS 1500 1 Suspension clamp PS 1500 + LM 1500	F 05 H 07
ES 1500/A	564.031-1	1 Assembly ES 1500 3 Ties A 210	C 50
ES 1500/AT	564.031-2	1 Assembly ES 1500/A 1 Bolt B 16/300	J 30

**Use:** Suspension or angle. When in suspension the assembly works as a mechanical fuse in case of accidental overloads.

The movable link allows a longitudinal and transversal movement of the suspension clamp.

**Fixing:** M14 or M16 bolt or 2 stainless steel straps of 20x0,7 mm (see data sheet K 01).

**Break load:** 1200 daN

**Capacity:** Neutral messenger up to 80 mm<sup>2</sup>

**Delivery:** Assembled in plant.

**Packaging:** Box containing 20 pièces.

**Note:** Do not use the support bracket as a prop or for fixing a pulley.

# CAHORS ESPAÑOLA, S.A.

Ctra. de Vilamalla a Figueres km 1 - 17469 VILAMALLA (Girona) - ESPAÑA

Tel. 34 - 972 - 52 60 00 - Fax 34 - 972 - 52 50 00

