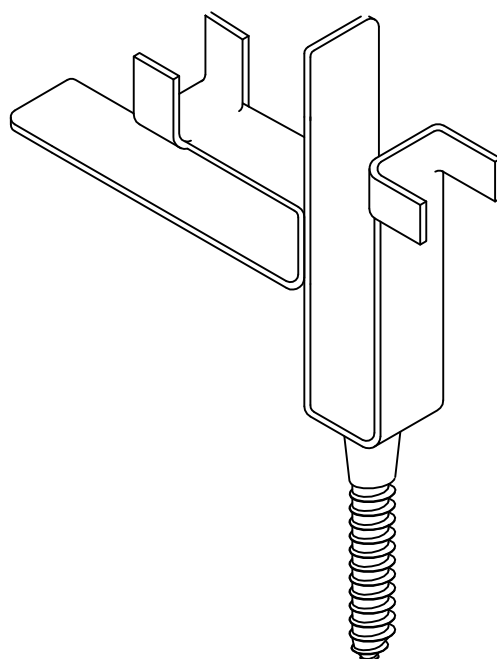
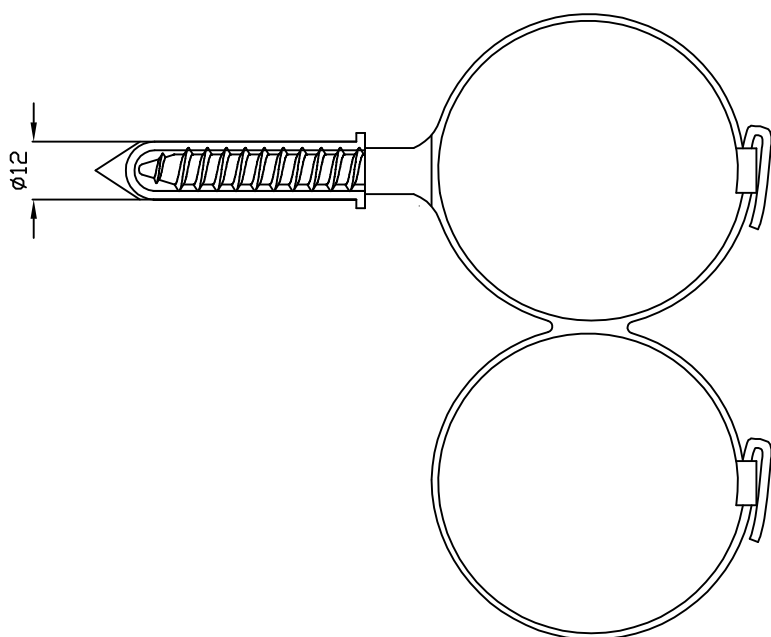
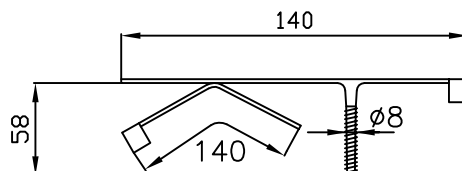
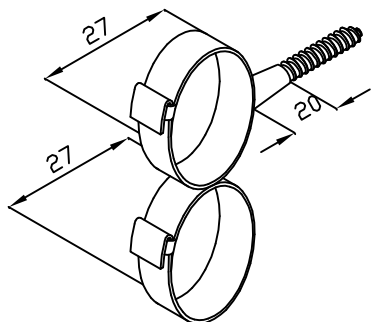


Desig: ARC 2 145-10
Ref: 0.561.317



PDF